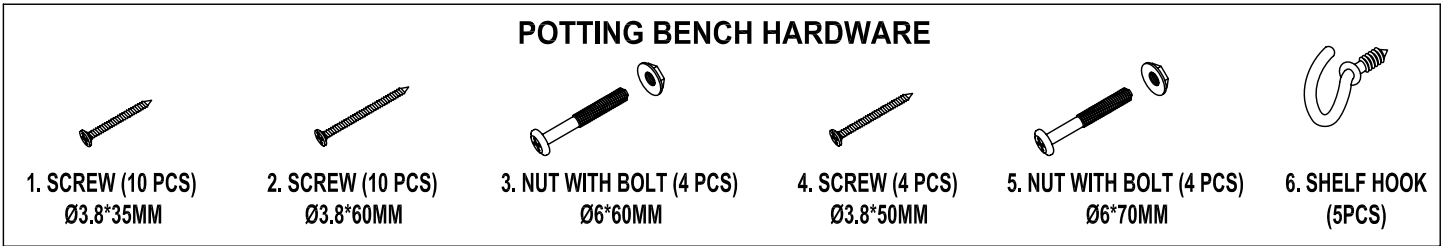
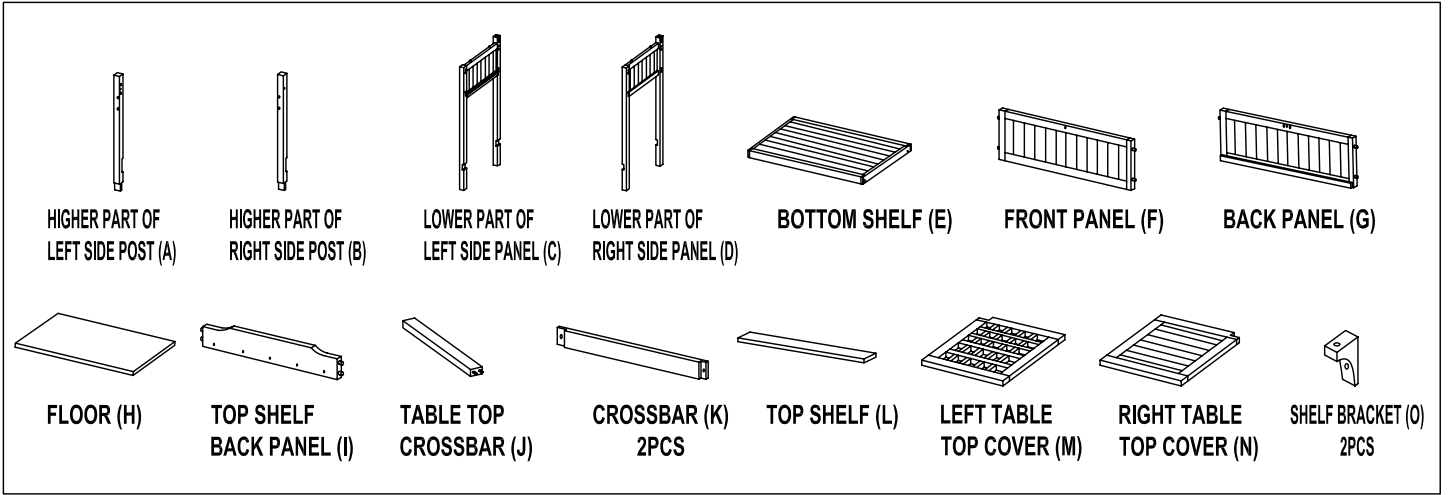


Assembly Instructions



NOTE:

- *Read all instructions before starting.
- *Do not completely tighten any bolts until the unit is fully assembled and sitting on a level surface.

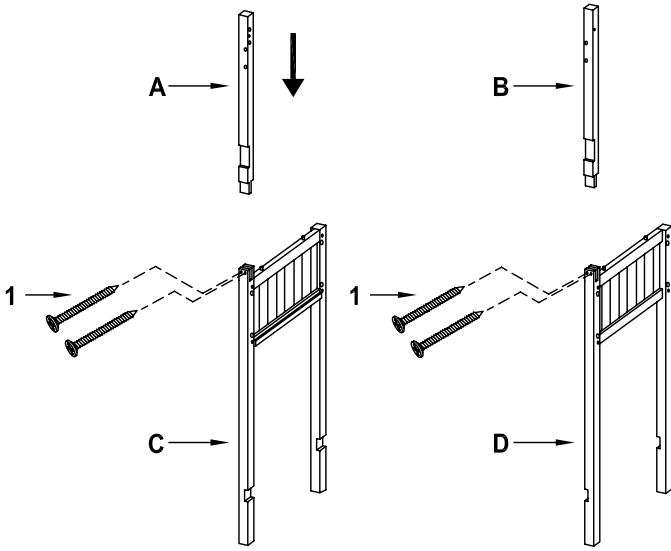
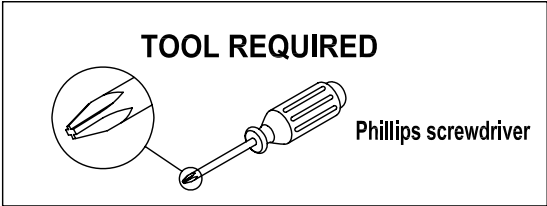


FIGURE 1

STEP 1

Secure the higher part of left side post (A) onto the lower part of left side panel (C) with screws (1). Repeat for right side. The notches near the bottom should face inward.

STEP 2

Assemble bottom shelf (E) & left and right side panels using bolts (3), but do not fully tighten. Insert floor (H) & left and right side panels using bolts (5), but do not fully tighten.

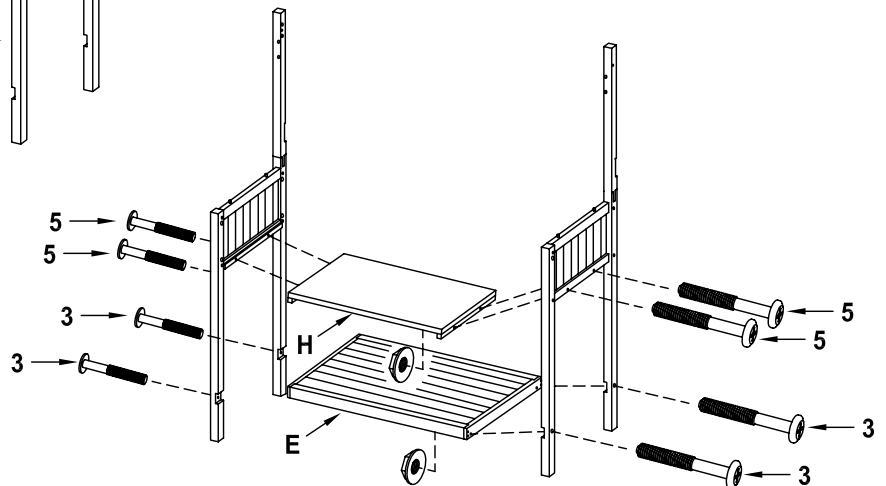


FIGURE 2

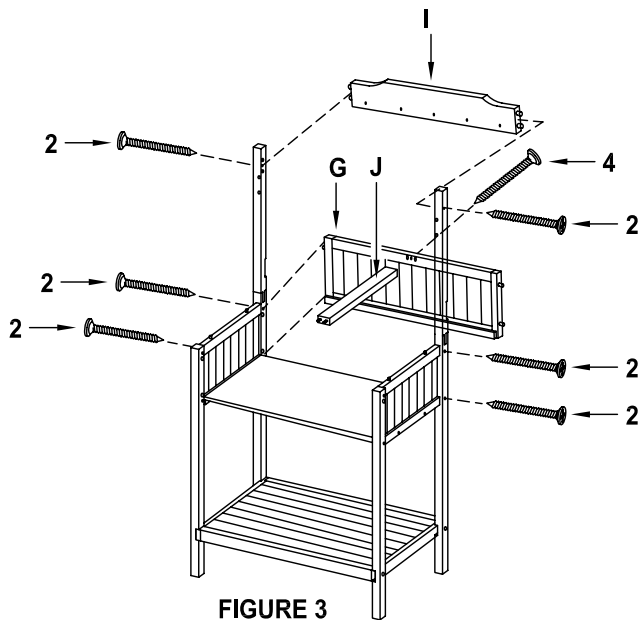


FIGURE 3

***NOTE:** Assemble top shelf back panel (I) with pre-marked holes for hooks facing forward

STEP 3

Attach back panel (G) using screws (2)
Secure top shelf back panel (I) to higher part of side panels using screws (2). ***SEE NOTE**
Secure the table top crossbar (J) onto the back panel (G) using screws (4).

STEP 4

Attach front panel (F) using four screws (2).
Secure table top crossbar (J) to front panel using screw (4)
Attach both crossbars (K) to side panels using screws (1).
Attach shelf brackets (O) onto the higher part of side panel using screws (4).
fully tighten all bolt

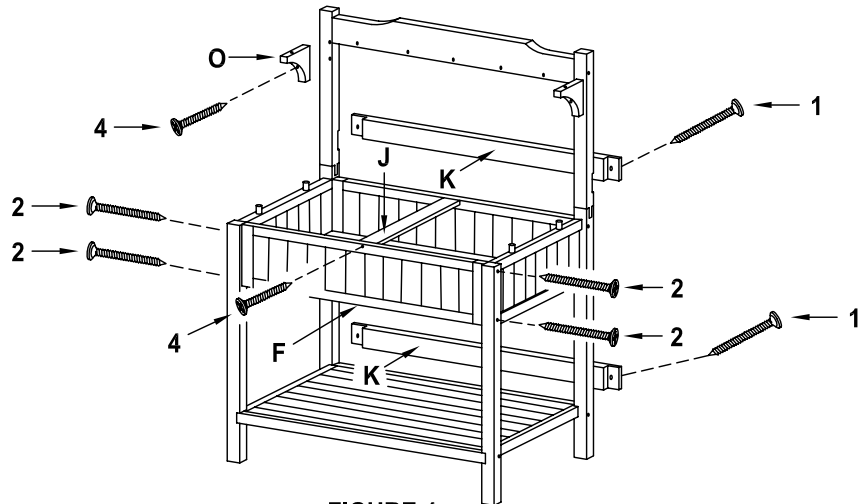
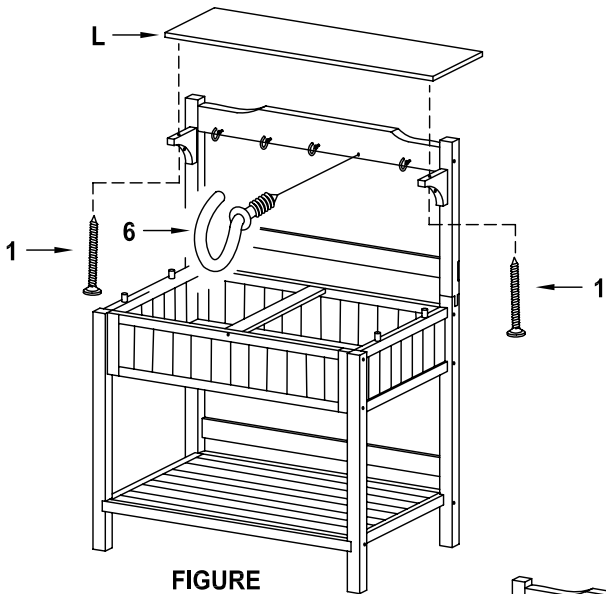


FIGURE 4



FIGURE

STEP 5

Secure top shelf (L) to shelf brackets using screws (1) .
Insert shelf hooks (5) into place on top shelf back panel (I).

STEP 6

Insert left and right table top covers (M&N) into place.

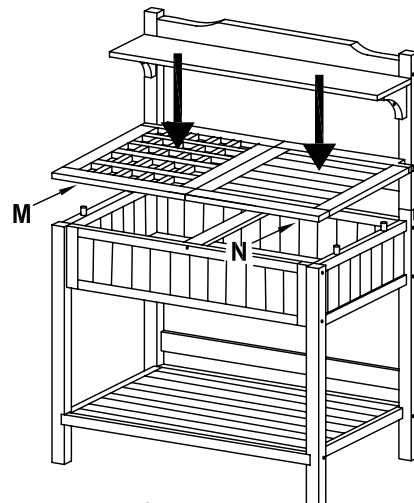


FIGURE 6

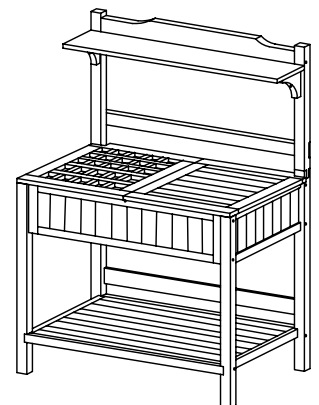


FIGURE 7